



TETRACAM INC

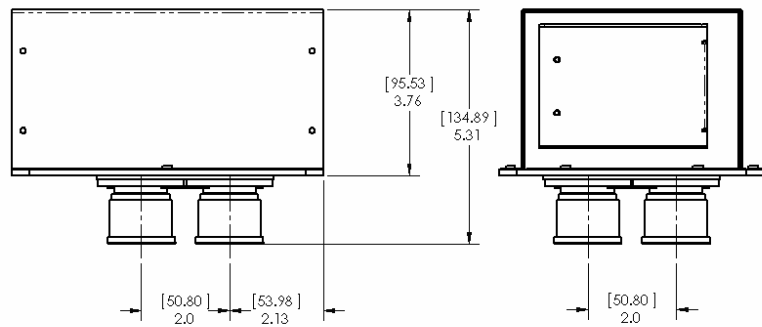
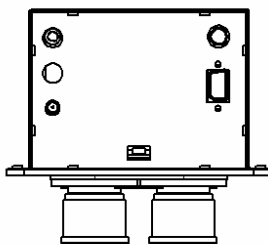
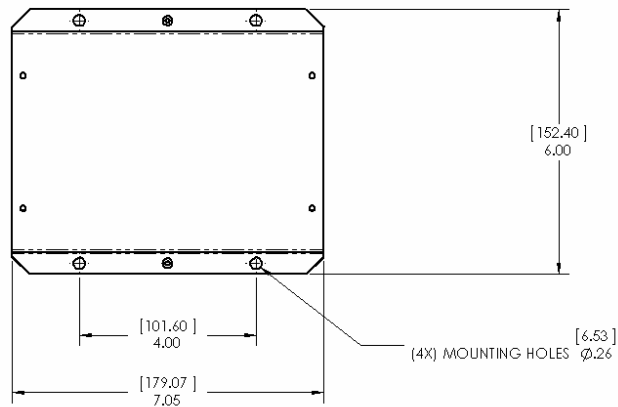
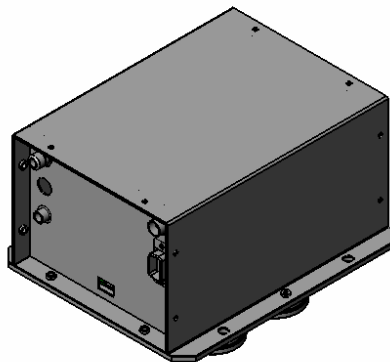
The new MCA (Multi Channel Camera)

Available in versions of up to 6 channels, the newly re-engineered MCA is ready for any assignment with unprecedented image quality, flexibility and control





1.3 mPel (per channel) image size for excellent ground resolution
 Video out and standard GPS data capture from an external receiver.
 User interchangeable optics and filters.



Specifications

SXGA (1280 x 1024) 1.3megapixel CMOS sensor, 1 per channel.
25mm standard spectrometer filter, behind lens, 1 per channel
Image storage to CompactFlash in Tetracam DCM lossless format.
C-mount system compatible with thousands of available lenses.
(supplied with 8.5 mm lenses)
USB interface
Multipin I/O connector for use with Tetracam Video ViewController accessory.
Steel Enclosure

Image Capture

Capacity: Approx. 1mB per image, limited only by CF card size.
Rate: Single Shot – Capture to end of compression and write: 3.5 sec.
Burst Mode – 1.3 frames per second until buffer full.

Inputs

12 VDC @ 1A
Rs-232 dedicated to capture of NMEA GPS sentences
External Trigger

Outputs

Realtime NTSC or PAL Video for both viewfinder and menu operations

Data Interface

USB 1.1

Dimensions

7 x 6 x 4 in. (179 x 153 x 101mm) without lenses (4 channel configuration)
Weight 4 lb. (1.8 kg) in 4 channel configuration

System Includes

MCA Camera, 1 filter and 8.5mm lens per channel
256mB CF card (1 per channel)
USB Cable
Remote Trigger unit
AC/DC power supply
DC power cable
Teflon Calibration tag
Tetracam PixelWrench2 Application Software (for Windows)
Rugged carrying case

Available for order Now.

**Contact your Tetracam Reseller for additional information and pricing or contact
Tetracam direct at info@tetracam.com.**

Tetracam Inc.
21601 Devonshire St. 310
Chatsworth Ca. USA 91311
www.tetracam.com