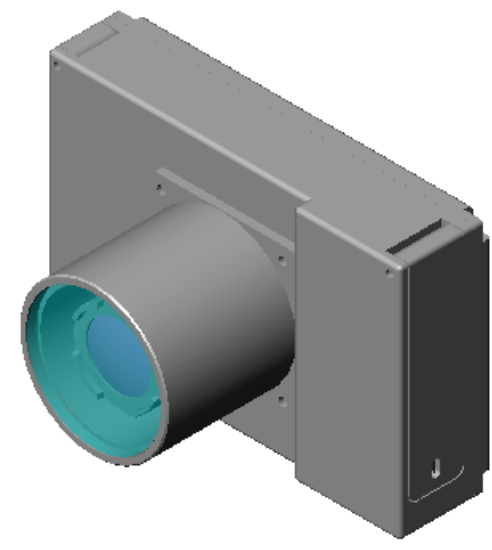
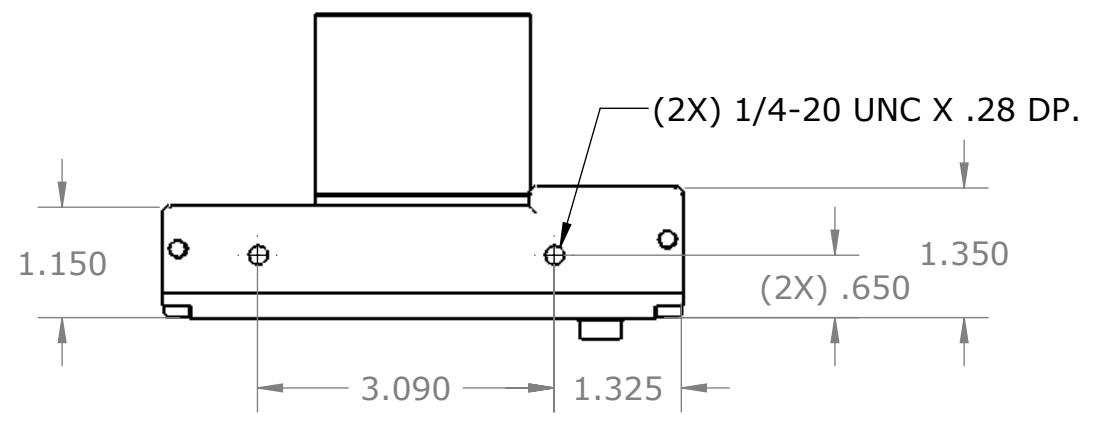
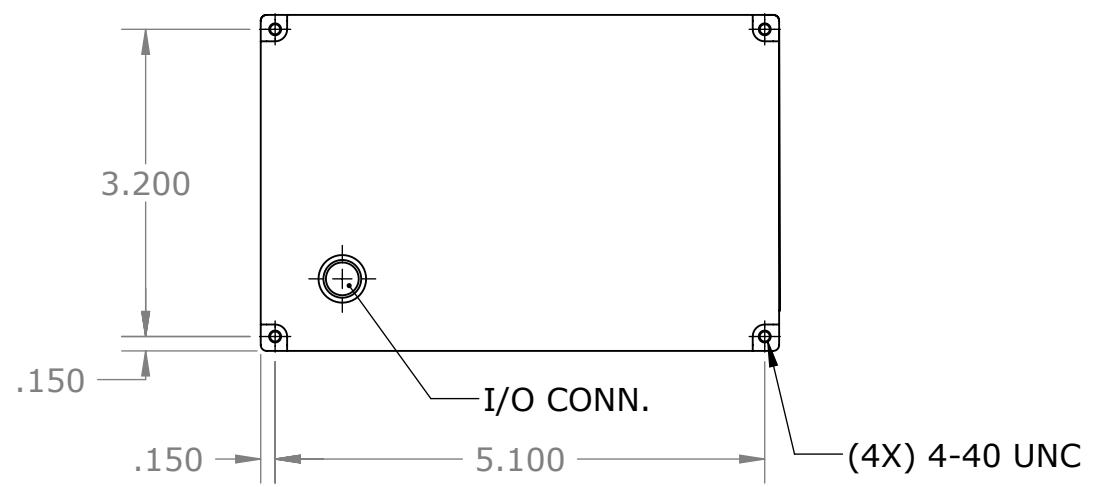
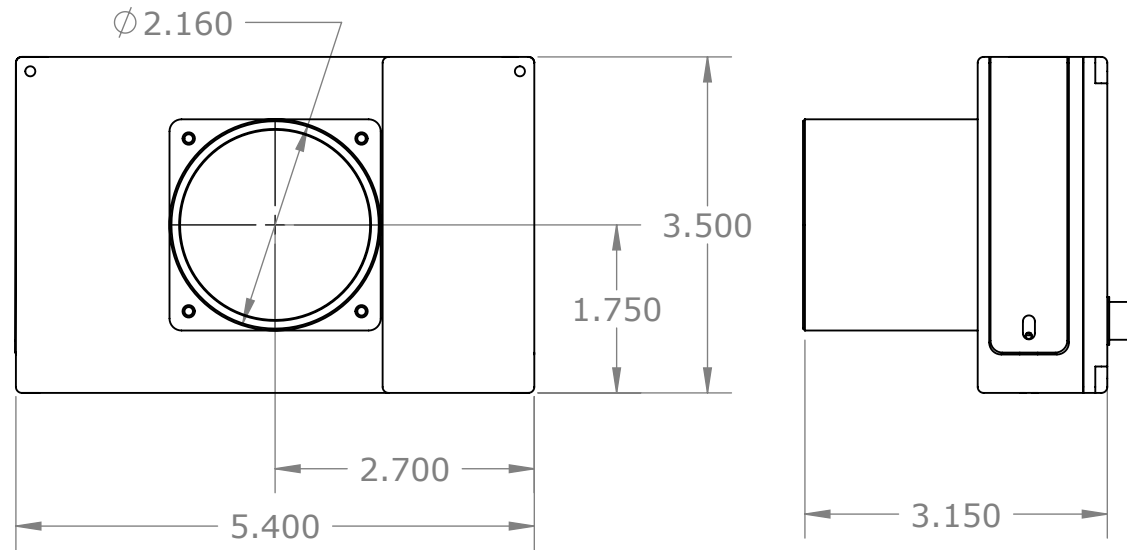


THE INFORMATION CONTAINED IN THIS DRAWING IS THE SOLE PROPERTY OF TETRACAM INC. ANY REPRODUCTION IN PART OR WHOLE WITHOUT THE WRITTEN PERMISSION OF TETRACAM INC. IS PROHIBITED.

| REVISIONS | | | |
|-----------|-------------|------|----------|
| REV. | DESCRIPTION | DATE | APPROVED |
| | | | |
| | | | |
| | | | |



- 4. ALLOW ACCESS TO BOTH ENDS OF CAMERA FOR CF CARD AND STANDARD I/O PANEL.
- 3. PRIMARY MOUNT USES 2X 1/4-20 TAPPED HOLES.

- ② FINISH: N/A
- ① MAT'L: N/A

NOTES: UNLESS SPECIFIED OTHERWISE

| ITEM NO. | PART OR IDENTIFYING NO. | NOMENCLATURE OR DESCRIPTION | MATERIAL SPECIFICATION | QTY REQD |
|---|-------------------------|---|------------------------|-----------|
| PARTS LIST | | | | |
| UNLESS OTHERWISE SPECIFIED DIMENSIONS ARE IN INCHES TOLERANCES ARE: | | CAD GENERATED DRAWING, DO NOT MANUALLY UPDATE | | |
| DECIMALS | ANGLES | APPROVALS | DATE | |
| + .XX | + .XX ± 1.0 | DRAWN | S. HEINOLD | |
| + .XXX | + .XXX ± 0.1 | CHECKED | | |
| MATERIAL | ① | RESP ENG | | |
| FINISH | ② | MFG ENG | | |
| NEXT ASSY | USED ON | QUAL ENG | | |
| APPLICATION | | DO NOT SCALE DRAWING | SCALE | CAD FILE: |

TETRACAM INC
 21601 DEVONSHIRE ST. SUITE 310
 CHATSWORTH CA. 91311
 818 667-1731 FAX 818 718-7103

ENVELOPE, ADC AIR

| | | |
|--------|-----------|------------|
| SIZE B | DWG. NO. | REV. |
| SCALE | CAD FILE: | SHEET 1 OF |