



TETRACAM INC

Re-engineered to be the simplest and most flexible visible and NIR camera available. The new ADC has improved resolution, faster performance, greater capacity and new features.

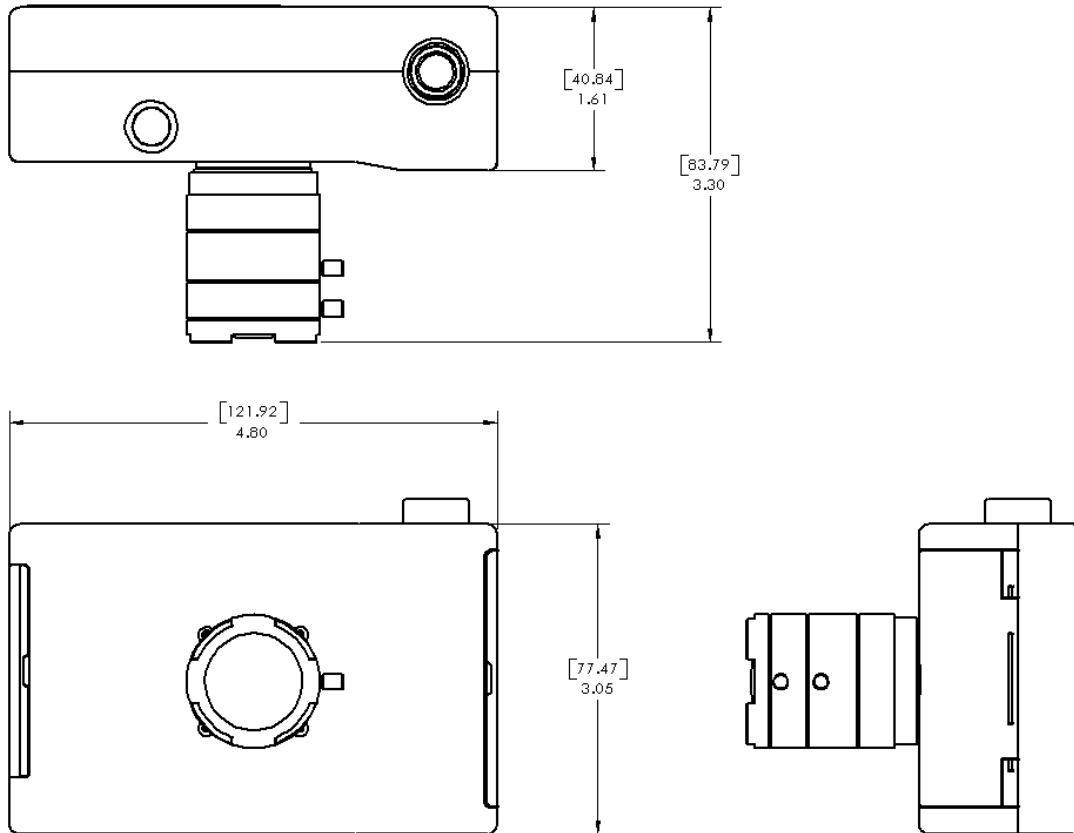


3.2 megapixel image size for excellent ground resolution



Video out and standard GPS data capture from an external receiver

This third generation ADC stands on the shoulders of the venerable 1.3mPel camera in use worldwide. It offers higher ground resolution and improved spectral accuracy along with greater flexibility of operation and control. Red, Green and NIR bands (approximating TM2, TM3 and TM4) provide the information needed for extraction of NDVI, SAVI, canopy segmentation and NIR / Green ratios. Standard GPS data capture from an external receiver adds position data to your image.



Specifications

3.2 megapixel CMOS sensor (2048 x 1536 pixels)
 Green, Red and NIR sensitivity with bands approximately equal to TM2, TM3 and TM4.
 Image storage to CompactFlash in Tetracam DCM lossless format
 Tough CNC machined aluminum housing.
 CS lensmount system compatible with thousands of available lenses.
 Camera supplied with a 4.5 – 10 mm varifocal lens.
 8 internal AA size batteries.
 USB interface
 Multipin I/O connector for use with Tetracam Videoviewer accessory.

Image Capture

Capacity: Approx. 1mB per image, limited only by CF card size.
 Rate: Single Shot – Capture to end of compression and write: 12 sec.
 Burst Mode – 1 frame every 2 seconds until buffer full.

Specifications cont.

Inputs

5 – 12 VDC

Rs-232 dedicated to capture of NMEA GPS sentences

External Trigger

Outputs

Realtime NTSC or PAL Video for both viewfinder and menu operations

Data Interface

USB 1.1

Dimensions

4.8 x 3.0 x 1.6 in. (122 x 78 x 41mm) without lens

12 oz. (340 gr.) without internal batteries

18 oz. (520 gr.) with alkaline AA batts.

Misc.

Standard ¼-20 tripod socket, centered under lens

System Includes

Camera and Lens

256mB CF card

USB Cable

AC/DC power supply

Teflon calibration tag

8 AA batteries

Tetracam PixelWrench2 Application Software (for Windows)

Rugged carrying case

Available Now.

Contact your Tetracam Reseller for additional information and pricing or contact Tetracam direct at info@tetracam.com.

Tetracam Inc.
21601 Devonshire St. 310
Chatsworth Ca. USA 91311
www.tetracam.com